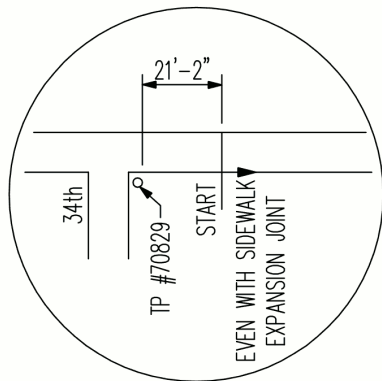
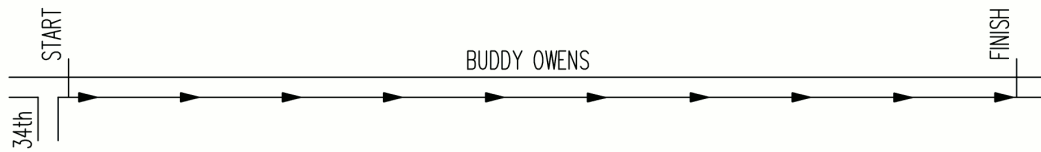
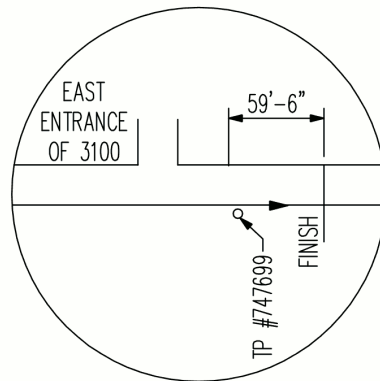




Buddy Owens Calibration Course • 300.02 meters  
Certification TX13145ETM • Effective 08.03.2013 to 12.31.2023  
Measured by Clent Mericle 06.29.2013 • McAllen, TX  
Map not to scale



START DETAIL



FINISH DETAIL



**Road Running Technical Council  
USA Track & Field  
Measurement Certificate**



Name of the course Buddy Owens Calibration Course Distance 300.02 m  
 Location (state) TX (city) McAllen  
 Type of course: road race  calibration  track  Configuration: Point to Point  
 Type of surface: paved 100 % dirt \_\_\_\_\_ % gravel \_\_\_\_\_ % grass \_\_\_\_\_ % track \_\_\_\_\_ %  
 Elevation (meters above sea level) Start 19 m Finish 19 m Highest 19 m Lowest 19 m  
 Straight line distance between start & finish 300.02 m Drop 0 m/km Separation 100 %  
 Measured by (name, address, phone & e-mail) Clent Mericle; 3221 Olsen; Corpus Christi, TX  
78411 361.232.7131 runclent@yahoo.com  
 Race contact (name, address, phone & e-mail) NA

Measuring Methods: bicycle  steel tape  electronic distance meter   
 Number of measurements of entire course: 2 Date(s) when course measured: Jun 29, 2013  
 Race date: NA Course certification effective date: Aug 03, 2013  
 Certification code: TX13145ETM

Notice to Race Director: Use this Certification Code in *all* public announcements relating to your race.

***Be It Officially Noted That***

Based on examination of data provided by the above named measurer, the course described above and in the map attached is hereby certified as reasonably accurate in measurement according to the standards adopted by the Road Running Technical Council. If *any* changes are made to the course, this certification becomes void, and the course must then be recertified.

*Verification of Course* — In the event a National Open Record is set on this course, or at the discretion of USA Track & Field, a verification remeasurement may be required to be performed by a member of the Road Running Technical Council. If such a remeasurement shows the course to be short, then all pending records will be rejected and the course certification will be cancelled.

***This certification expires on December 31 in the year 2023***

**AS NATIONALLY CERTIFIED BY:**

*ETM*

Date: Aug 03, 2013

E. T. (Tom) McBrayer— USATF/RRTC National Certifier  
 4021 Montrose Blvd: Houston, TX 77006; 713-523-5679; etmmam@gmail.com